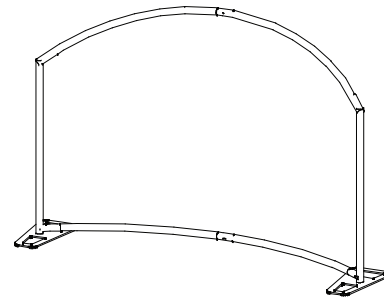
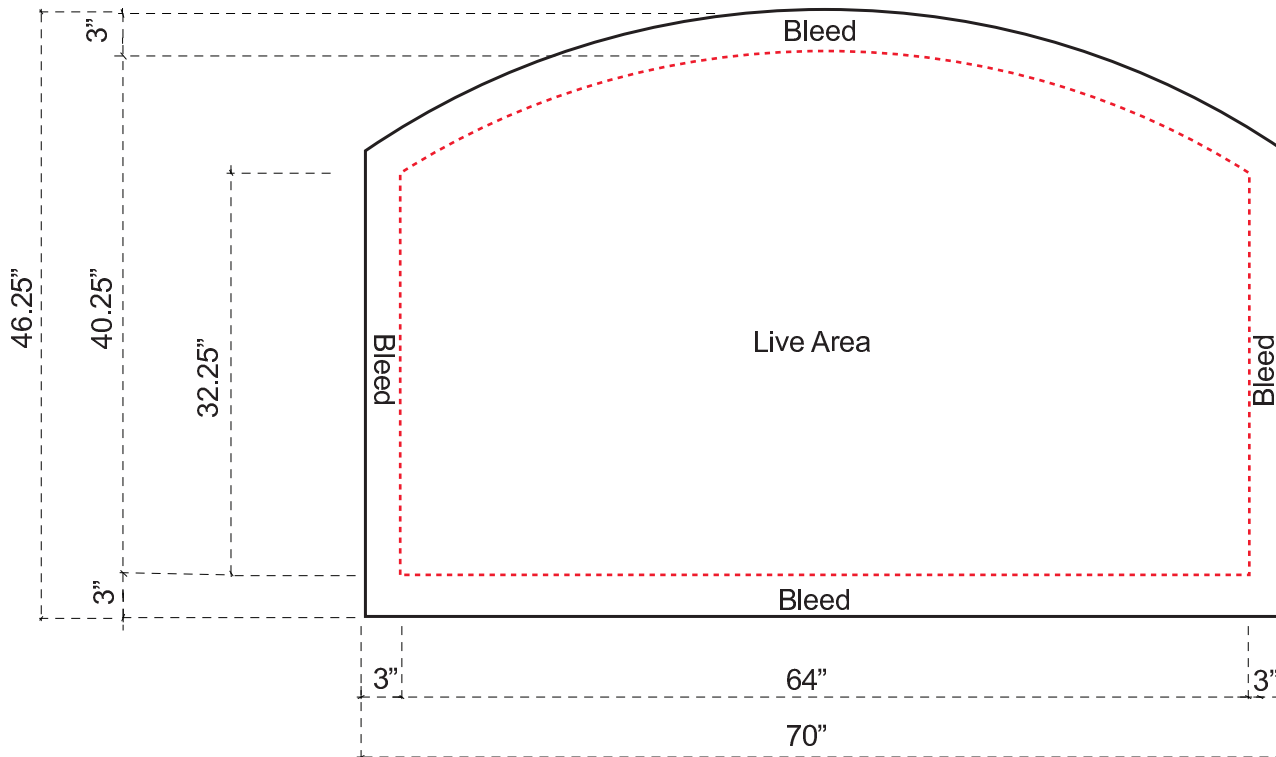


AERO Table Top Displays



Product Number: TF- 406
Process: Kaleidoscope Select
Material: Poly Knit 9
Effective Date: 9/17/2012



Finished Size: 70"w x 46.25"h
Live Area: 64"w x 40.25"h

Finishing

- Hook Velcro sewn into BACK perimeter of graphic.
- Notch 2 bottom corners of graphic.
- Graphic wraps over all 4 sides of Aero frame.

NOTE - Graphic files must be @ 150 dpi finished size.
- These dimensions are for graphic layout purposes.
- Graphic needs to be cut and test fitted to Aero frame.